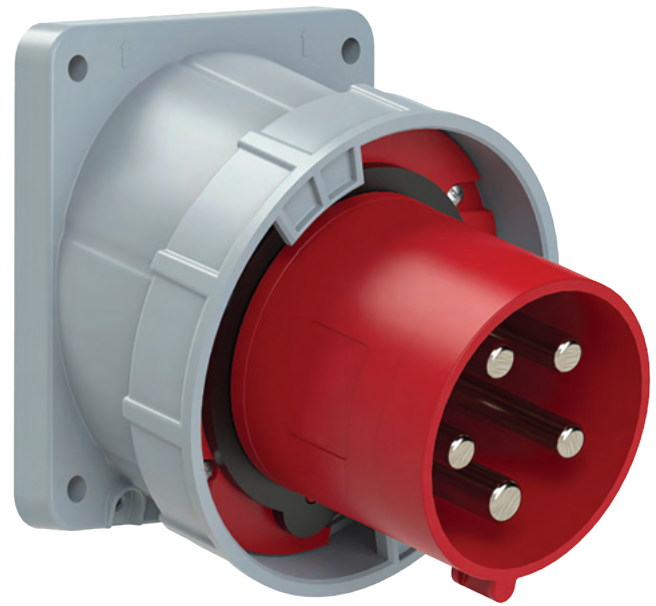
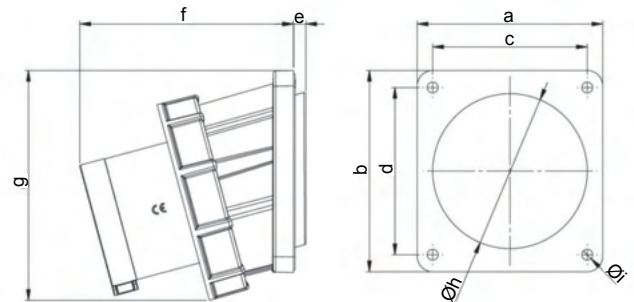


AMPCO Data Sheet

article#	A745-7
article description	CEE-flanged plug sloping 125A 5p 6h IP67 POWER TWIST
description long	CEE-flanged plug sloping 125A 5p 6h IP67 POWER TWIST housing material: PA6 rated current: 125A number of poles: 5 (3P+N+PE) clock-position: 6h rated voltage/frequency: 200/346V~ - 240/415V~ / 50+60Hz contacts: brass nickel plated, with pilot pin connection technology: frame terminals with screws dimensions (flange/fixing center): 120x130 mm / 100x108 mm IP protection class: IP66/IP67
GTIN (EAN)	9003399068119
country of origin	AT
customs number	85366990
net weight	1.044 kg
packaging quantity	2
minimum order quantity	2



ETIM 9.0	EC001319
IEC-amperage	125 A
Voltage according to EN 60309-2	400 V (50+60 Hz) red
Number of poles	5
Clock hour position	6 h
Identification colour	Red
Degree of protection (IP)	IP67
Connection system	Screwed terminal
Construction type	Built-up device plug
Phase inverter	False
Angle of plug	Angled
Material	Plastic
Contact material	CuZn
Surface treatment contacts	Nickel-plated



a	120 mm
b	130 mm
c	100 mm
d	108 mm
e	8 mm
f	139 mm
g	145 mm
h	100 mm
i	7 mm
wire flexible	16-50 mm ²
wire solid	16-70 mm ²
contact screws	450 Ncm
connecting screws	200 Ncm
dismantling length	100 mm
stripping length	24-27 mm
ambient temperature	-25 – 40 °C
temperature resistance	-25 – 80 °C

